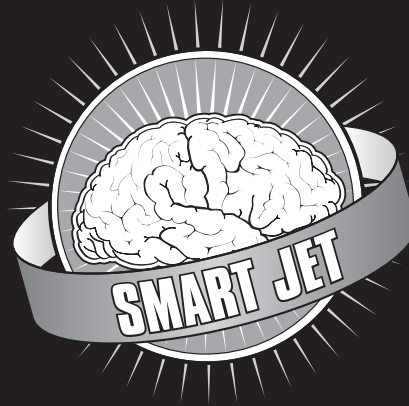


iwata

by ANEST IWATA



Medium Pressure Airbrush Compressor

IS850 IWATA SMART JET OPERATING INSTRUCTION MANUAL

NEED ASSISTANCE ?

If you have any issues or warranty service questions, contact your local ANEST IWATA affiliate before returning to your place of purchase.

ANEST IWATA-MEDEA, INC.

Portland, Oregon U.S.A.
+1-503-253-7308 (M-F)
info@iwata-medea.com
www.iwata-airbrush.com

ANEST IWATA SOUTH-EAST ASIA CO., LTD.

Bangkok, Thailand
+66-(0)-2643-2870
www.anest-iwatasoutheastasia.com

ANEST IWATA SOUTH AFRICA (PTY) LTD.

Johannesburg, Republic of South Africa
+27-11-463-2169/2265/2223
www.anest-iwata.co.za

ANEST IWATA CORPORATION

Yokohama, Japan
+81-(0)45-591-1111
www.anest-iwata.co.jp

ANEST IWATA STRATEGIC CENTER

Cardano al Campo, Italy
+39-0331-733120
www.anest-iwataeu.com

ANEST IWATA SHANGHAI

Shanghai, China
+86-(0)21-6407-9713 / 15 / 16
www.anest-iwata-sh.com

ANEST IWATA RUS LLC

Moscow, Russia
+7-495-938-77-28
www.anestiwata.ru

ANEST IWATA AUSTRALIA PTY LTD.

Mt. Druitt, NSW
+61-(02)-9853-2000
www.anest-iwata.com.au

ANEST IWATA (U.K.) LTD.

Neots Cambs, England
+44-(0)1480-405419
www.anest-iwata.co.uk

ANEST IWATA MOTHERSON LTD.

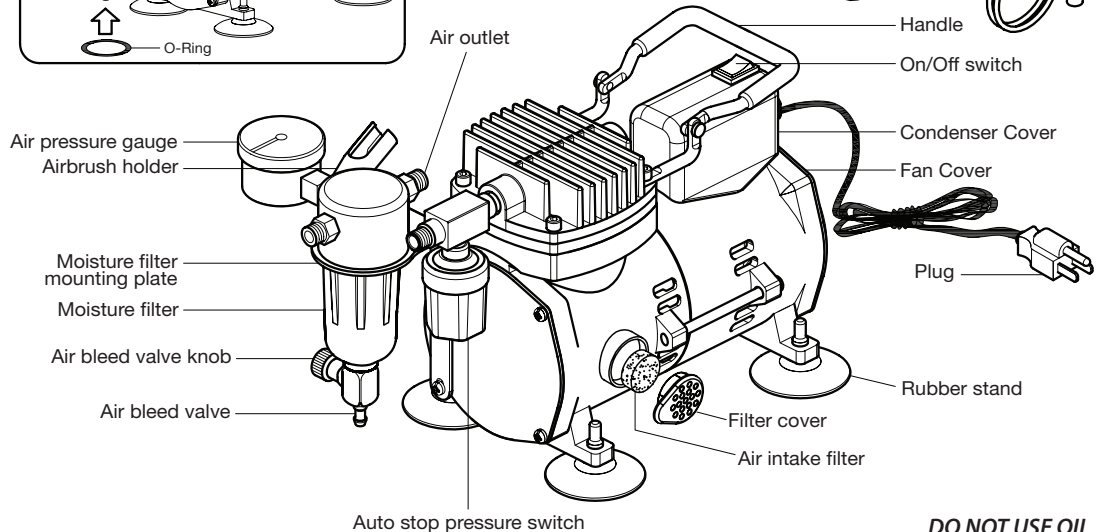
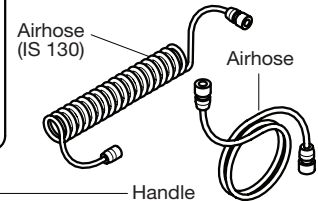
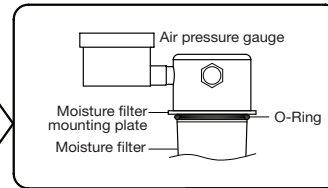
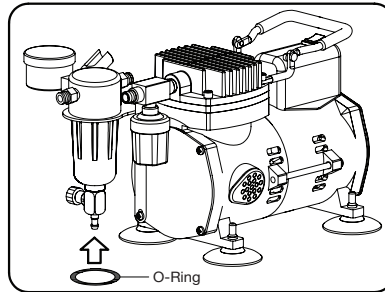
Uttar Pradesh, India
+91-(0)120-4600500 / 14 / 17
www.aircompressors.com

CENTURY TRADING CO., LTD.

Seoul, Korea
82-2-2163-0300
www.centrading.co.kr

ASSEMBLY INSTRUCTIONS

- Unpack the compressor and all components:
- Iwata Smart Jet Airbrush Compressor (IS850)
 - Coiled Air hose (IS130)
 - Iwata Straight Shot Air hose
 - Moisture Filter With Gauge And O-Ring
 - Replacement Air Intake Filter
 - Air hose Adapters (for use with Badger, Aztec and Paasche airbrushes)
 - Operating Instruction Manual



VOLTAGE CAUTION - READ CAREFULLY -

If you bought the compressor in the country you're going to use it, it's completely ready to go. If you're going to transfer the compressor to another country with a different voltage, you'll need a plug adapter and the appropriate power converter, though this is not recommended.

WARNING: Using a plug adapter and power converter may cause unit to overheat. Any issues resulting from the use of a power adapter and/or power converter are not covered under the Anest Iwata-Medea warranty.

**DO NOT USE OIL
IN OR ON THE
COMPRESSOR**

GETTING STARTED

CAUTIONS:

- **Always work in a well-ventilated area and away from flammable solvent vapors or wet surfaces.**
- **The air compressor can become very hot during prolonged use. Avoid running continuously without a break for more than 1 hour at a time. Use caution when handling the compressor at this time.**
- **The motor is thermally protected and automatically shuts off the compressor when it becomes overheated. If this occurs turn the compressor off and wait to restart until after it cools.**
- **DO NOT place the air compressor between you and your work area or directly under an area being sprayed. This could allow for over spray from the airbrush to flow into the air intake of the compressor and damage the unit.**

1. Place the moisture filter with gauge into the moisture filter mounting plate located on the front of the compressor (near the airbrush holder). Make sure that the gauge is located on the same side as the airbrush holder.
2. Roll the o-ring from the bottom of the moisture filter to the moisture filter mounting plate until it fits into a groove and tightly secures the moisture filter to the plate.
3. Screw the coiled air hose onto the compressor.
4. Screw the other end of the coiled air hose onto the moisture filter's front facing small screw.
5. Screw the large end of the Iwata Straight Shot Air hose onto the moisture filter's large screw (air outlet near the airbrush holder).
6. Screw the Iwata Straight Shot Air hose onto the airbrush. If you're using a brand of airbrush other than Iwata, use the appropriate adapter.
7. Plug the unit into a grounded wall outlet. If using an extension cord, use only a three prong grounded extension cord (minimum 16 AWG required).
8. Turn ON the unit by pressing the on/off switch. The unit will run for a couple seconds then stop. When you push down the trigger on your airbrush, the compressor will come on and when you release the trigger the unit will stop. This is the automatic shut-off feature which prolongs the life of your motor.

GETTING STARTED (CONTINUED)

9. Turn the air bleed valve knob toward “+” to increase pressure and toward “-” to decrease pressure while spraying air from the airbrush.
NOTE: When you turn the air bleed valve knob to lower the pressure, the automatic shut-off feature is disabled.

10. When the airbrush is not in use it may be placed in the airbrush holder.

NOTE ON MOISTURE: Moisture will condense in the clear bowl of the moisture filter. To release this built-up moisture, use a paper towel and press it against the air bleed valve at the bottom of the moisture filter. Turn the air bleed valve knob toward the “-” sign. How often you need to do this will vary depending on humidity.

ENDING A SESSION

1. Release any built up moisture in moisture filter.
2. Turn off the compressor.
3. Release any leftover air by pressing down on your airbrush trigger (being careful of any excess paint) or unscrewing your airbrush from the air hose.

MAINTENANCE

CHANGING THE AIR INTAKE FILTER

The filter only needs to be changed if it's significantly dirty or dirty enough to cut air flow into the compressor. Inspect your air intake filter once per week with heavy compressor use.

- Use your finger to pull out the filter cover and air intake filter.
- Remove the sponge-like air filter and replace with new air intake filter (Part # IS012 – 10 pack).
- Push filter cover with new air intake filter back into place.

RELEASING BUILT-UP MOISTURE IN THE MOISTURE FILTER

- Use a paper towel and press it against the air bleed valve at the bottom of the moisture filter.
- Release moisture by turning the air bleed valve knob toward the “-” sign. This will open the bleed valve and drain the collected moisture.
- For optimal performance, do not allow excess water build-up in the moisture filter.

TROUBLESHOOTING

COMPRESSOR TURNS ON AND OFF WHILE AIRBRUSH IS NOT SPRAYING AIR.

The compressor has an air leak. When this happens:

1. Spray all connections with a soapy water solution. Resulting bubbles indicate an air leak.
2. Tighten connections.
3. If bubbling doesn't stop, try wrapping threads with thread sealant tape (max 3 wraps only) or applying beeswax to the threads. Both methods provide an airtight seal.
4. If the air leak is in the middle of an air hose the hose will need to be replaced.

COMPRESSOR SUDDENLY TURNS OFF

The thermal overload switch will turn off your compressor before it overheats. Allow unit to cool down. The switch will automatically reset itself.

FOR ANY OTHER PROBLEMS OR ISSUES

Contact ANEST IWATA-MEDEA at 503-253-7308 or email at: info@iwata-medea.com

WARRANTY

All Iwata compressors are *Warranted* against all manufacturing defects of material and manufacture or workmanship for a period of ONE year from the date of purchase*. This warranty does not cover intake air filters as periodic replacement of these parts is REQUIRED due to normal wear. Any part or material that is or becomes defective so as not to be usable within this period will be repaired or replaced. This warranty does not cover damage caused by negligence or a compressor that has been altered or abused in any way.

Call or email Anest Iwata-Medea before returning a compressor for the appropriate procedure for warranty repairs. Any material that is shipped to Anest Iwata-Medea without prior authorization will not be accepted.

- Anest Iwata-Medea offers technical support over the phone at no charge. **Call Customer Care at 503-253-7308 Monday – Friday, 8am – 4:30pm Pacific Time.** Telephone support includes general usage information, cleaning tips, and troubleshooting.
- **NOTE:** All compressors returned for repair must have a Return Authorization Number. **Please call 503-253-7308 to obtain an RA number,** instructions and shipping address.

Warranty service will be provided only at authorized Anest Iwata-Medea service centers. You must pay all charges for shipping/ transporting your Iwata compressor to/from these service facilities.

Anest Iwata-Medea, Inc. will not be responsible for damage to persons or property, commercial loss or any other incidental or consequential damage caused by a defective compressor. However, some states do not allow the exclusion or limitation of incidental or consequential damages, so the above limitations may not apply to you.

All implied warranties, including any warranty of merchantability or fitness are limited to the duration of this written warranty. However, some states do not allow limitations on how long an implied warranty lasts, so the above limitation may not apply to you.

** Please keep the sales receipt.*

Genuine Iwata

iwata

by ANEST IWATA

www.IWATA-AIRBRUSH.com